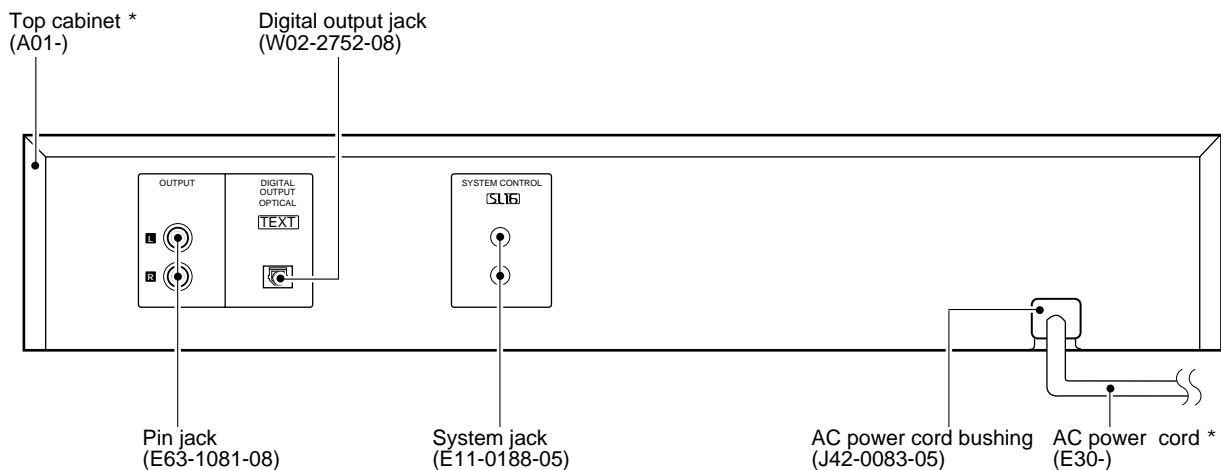
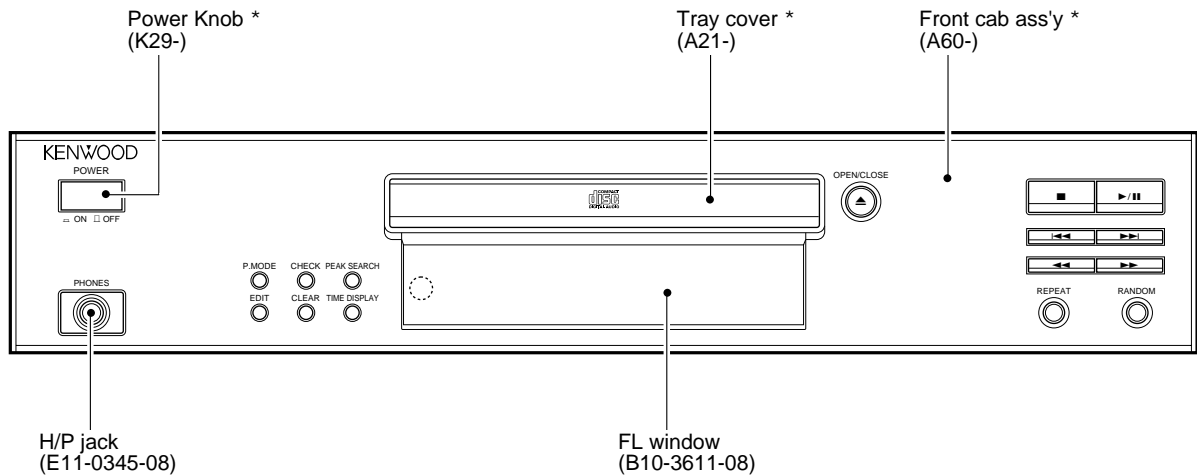


DPF-1030/1030E/1030-S DPF-2030/2030E/2030-S SERVICE MANUAL



*** Refer to parts list on page 14.**

In compliance with Federal Regulations, following are reproductions of labels on, or inside the product relating to laser product safety.

Refer to DP-3080MKII/3090 Service manual (B51-5349-00), if you require disassembly for repair.

KENWOOD-Corp. certifies this equipment conforms to DHHS Regulations No. 21 CFR 1040. 10, Chapter 1, Subchapter J.

DANGER : Laser radiation when open and interlock defeated. AVOID DIRECT EXPOSURE TO BEAM.



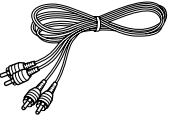
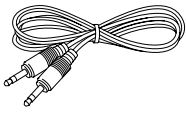
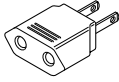

DPF-1030/2030

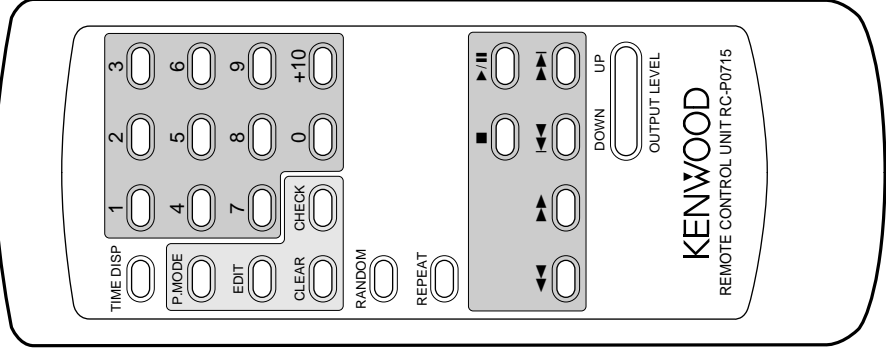
CONTENTS / ACCESSORIES

Contents

| | | | |
|------------------------------|---|-------------------------|------------|
| CONTENTS / ACCESSORIES | 2 | SCHEMATIC DIAGRAM | 7 |
| DISASSEMBLY FOR REPAIR | 2 | EXPLODED VIEW | 12 |
| CIRCUIT DESCRIPTION | 3 | PARTS LIST | 14 |
| ADJUSTMENT | 4 | SPECIFICATIONS | Back cover |
| PC BOARD | 5 | | |

Accessories

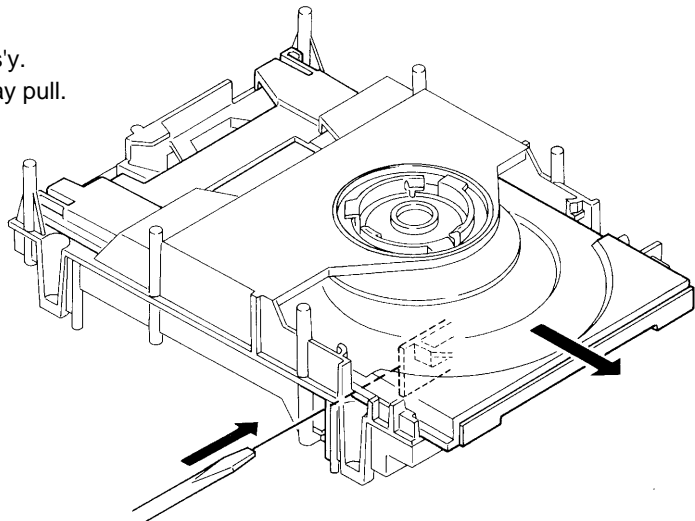
| | | |
|--|---|--|
| Audio cord (1) (E30-2913-08)  | System control cord (1) (E30-2912-08)  | AC plug adaptor (1) (E03-0115-05)  Use to adapt the plug on the power cord to the shape of the wall outlet. (Accessory only for regions where use is necessary.) |
| Remote control unit (1) (A70-1414-08) : RC-P0715 (DPF-2030 only) | Battery cover : (A09-1190-08) | Batteries (R6/AA) (2) (DPF-2030 only)  |



DISASSEMBLY FOR REPAIR

1. How to open tray when tray not come out.

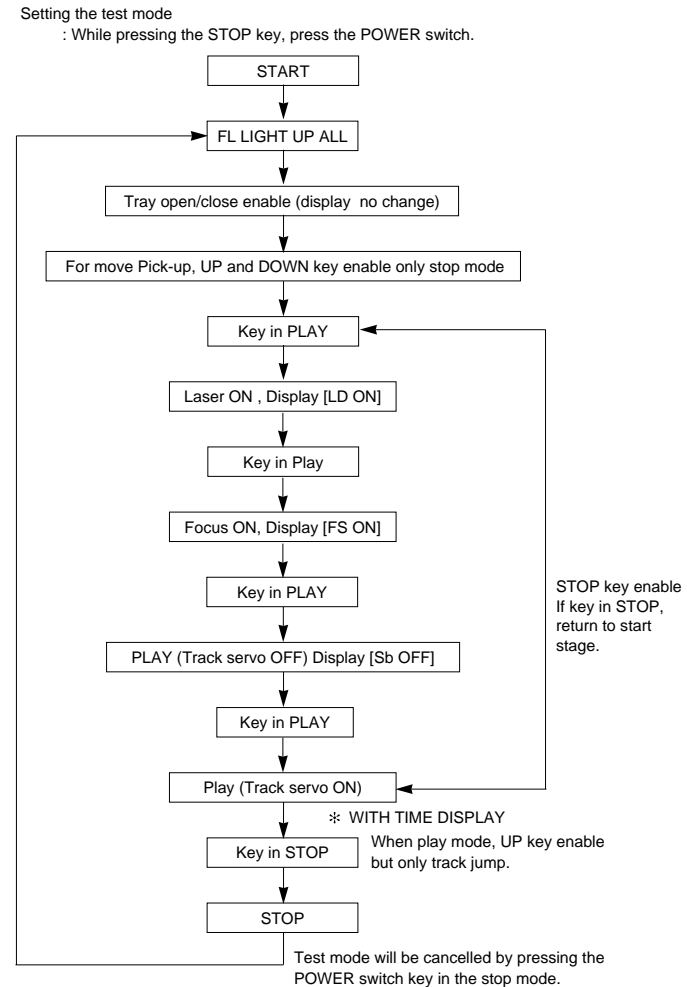
1. Insert the screw driver to left side hole of mechanism ass'y.
2. While pushing the rack gear fully right wards, then the tray pull.



1. Pin description of microprocessor

| Pin No. | Pin Name | I/O | Description |
|---------|----------|-----|-----------------------------------|
| 1-6 | 6G-1G | O | FL grid control port. |
| 7 | NC | - | Unused. |
| 8 | VDD | - | Power supply(+5V). |
| 9-11 | - | - | Connected to ground. |
| 12 | C-RESET | O | DSP signal output. |
| 13 | S-MUTE | O | Muting signal output for system. |
| 14 | NC | - | Unused. |
| 15 | TEXT | I | Text copy detection. |
| 16 | - | - | Connected to ground. |
| 17 | RESET | I | Hardware reset signal input. |
| 18 | LD CLOSE | O | Tray motor control. |
| 19 | LD OPEN | O | Tray motor control. |
| 20 | AVSS | - | Connected to ground. |
| 21 | - | - | Connected to ground. |
| 22 | PU IN SW | I | Pickup location. |
| 23 | OPEN SW | I | Tray open switch input. |
| 24 | CLOSE SW | I | Tray close switch input. |
| 25-28 | KEYO-3 | I | Key input port. |
| 29 | AVDD | - | Power supply(+5V). |
| 30 | AVREF | - | Reference voltage(+5V). |
| 31,32 | XT1,2 | - | Connected to ground. |
| 33 | VSS | - | Connected to ground. |
| 34,35 | XO,1 | - | X'tal 4.19MHz. |
| 36 | WRQ | I | Sub code Q output. |
| 37 | COIN | O | Command data to DSP. |
| 38 | 16BIT | - | Unused. |
| 39 | HF | - | Connected to ground. |
| 40 | NC | - | Unused. |
| 41 | CQCK | O | Clock output to DSP. |
| 42 | SQOUT | I | SQ data to dsp. |
| 43 | RWC | O | Reading/writing control port. |
| 44 | GND | - | Connected to ground. |
| 45 | S BUSY | I/O | System control data. |
| 46 | S DATA | I/O | System control status. |
| 47 | RMC | I | Remote control signal input. |
| 48 | GND | - | Connected to ground. |
| 49 | TRY L/H | O | Tray motor speed control. |
| 50 | SL- | O | Sled motor control port(reverse). |
| 51 | SL+ | O | Sled motor control port(forward). |
| 52 | VDD | - | Power supply(+5V). |
| 53-59 | NC | - | Unused. |
| 60 | DRF | I | CD focus OK signal input. |
| 61 | NC | - | Unused. |
| 62-70 | a-j | O | FL segment(a-j) control port. |
| 71 | VLOAD | - | Power supply(-30V). |
| 72,73 | k,l | O | FL segment(k,l) control port. |
| 74-77 | NC | - | Unused. |
| 78-80 | 9G-7G | O | FL grid(9G-7G) control port. |

2. Test mode



3. Key function in test mode

| No. | INPUT KEY | FUNCTION | DISPLAY |
|-----|------------|---|---------------|
| 1 | PLAY(1ST) | LASER ON | LD ON |
| 2 | PLAY(2ND) | FOCUSING SERVO ON | FS ON |
| 3 | PLAY(3RD) | PLAY(TRACKING SERVO OFF) | Sb off |
| 4 | PLAY(4TH) | PLAY(TRACKING SERVO ON) | TN0. And Time |
| 5 | UP | In the stop mode. Moves the pickup slightly toward the outer position disc. When tracking servo is ON, set the track number up. | - |
| 6 | DOWN | In the stop mode. Moves the pickup slightly toward the inner position disc. When tracking servo is ON, set the track number up. | - |
| 7 | STOP | Laser off, focusing servo off, tracking servo off. | All segments |
| 8 | OPEN/CLOSE | In the stop mode, Tray is opened or closed. | All segments |

DPF-1030/2030

ADJUSTMENT

CD section

Since this CD system incorporates the following automatic adjustment function, when the pickup is replaced, it is not necessary to readjust it

Since this CD unit does not need adjustment, the combination of PWB and laser pickup unit is not restricted.

•Automatic adjustment item

1. Focus offset(Fig.1)
2. Tracking offset(Fig.2)
3. E/F balance (Tracking error balance) (Fig.3)
4. RF level AGC function (HF level : constant)
5. RF level automatic follow-up of the tracking gain

This automatic adjustment is performed each time a disc is changed. Therefore, each disc is played back using the optimal settings

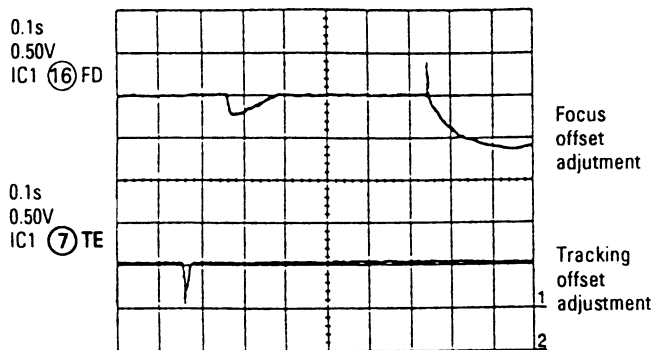


Fig.1

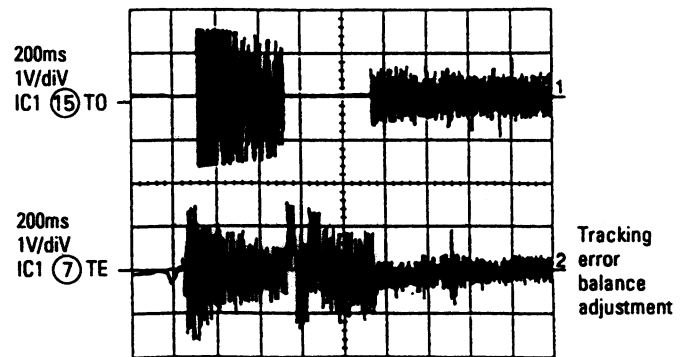


Fig.3

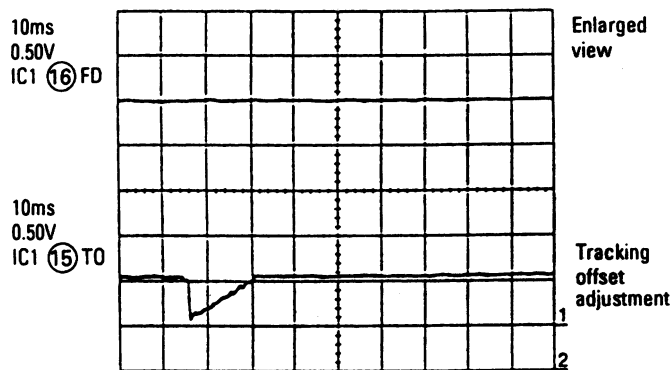


Fig.2

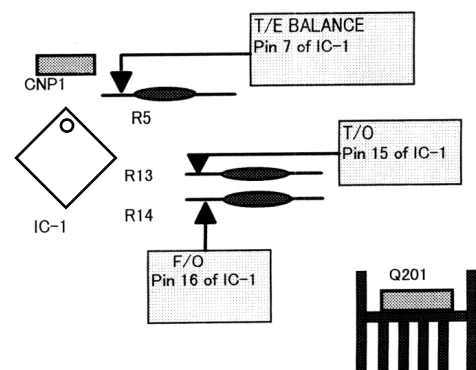
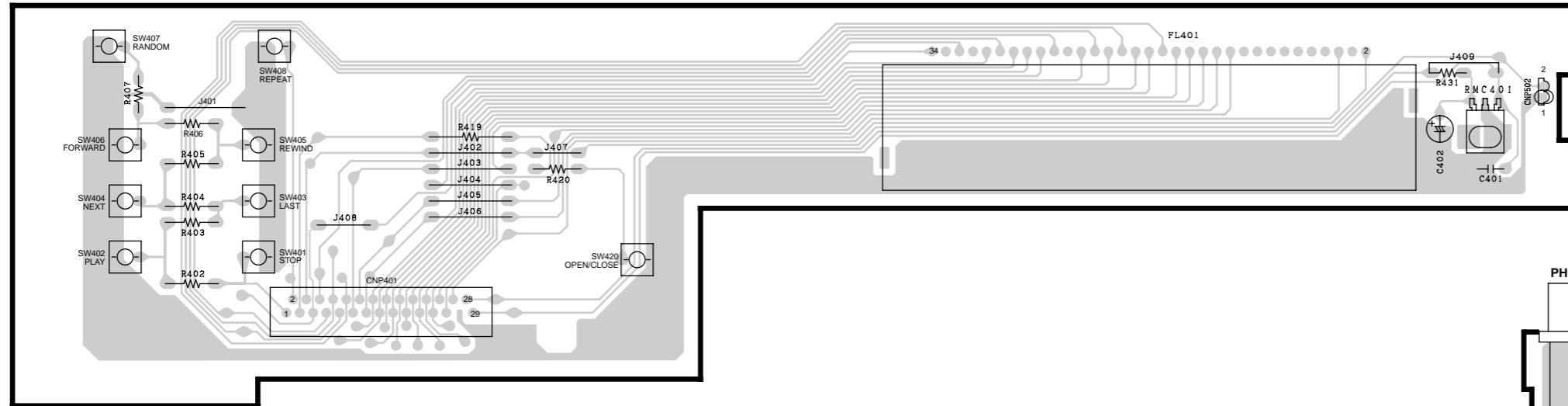


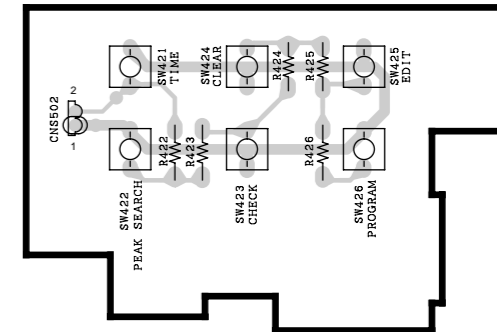
Fig.4 Checking points

PC BOARD(Component side view)

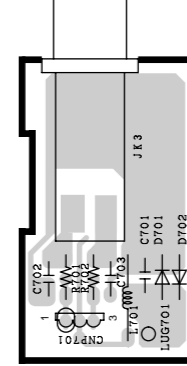
DISPLAY-1 PWB



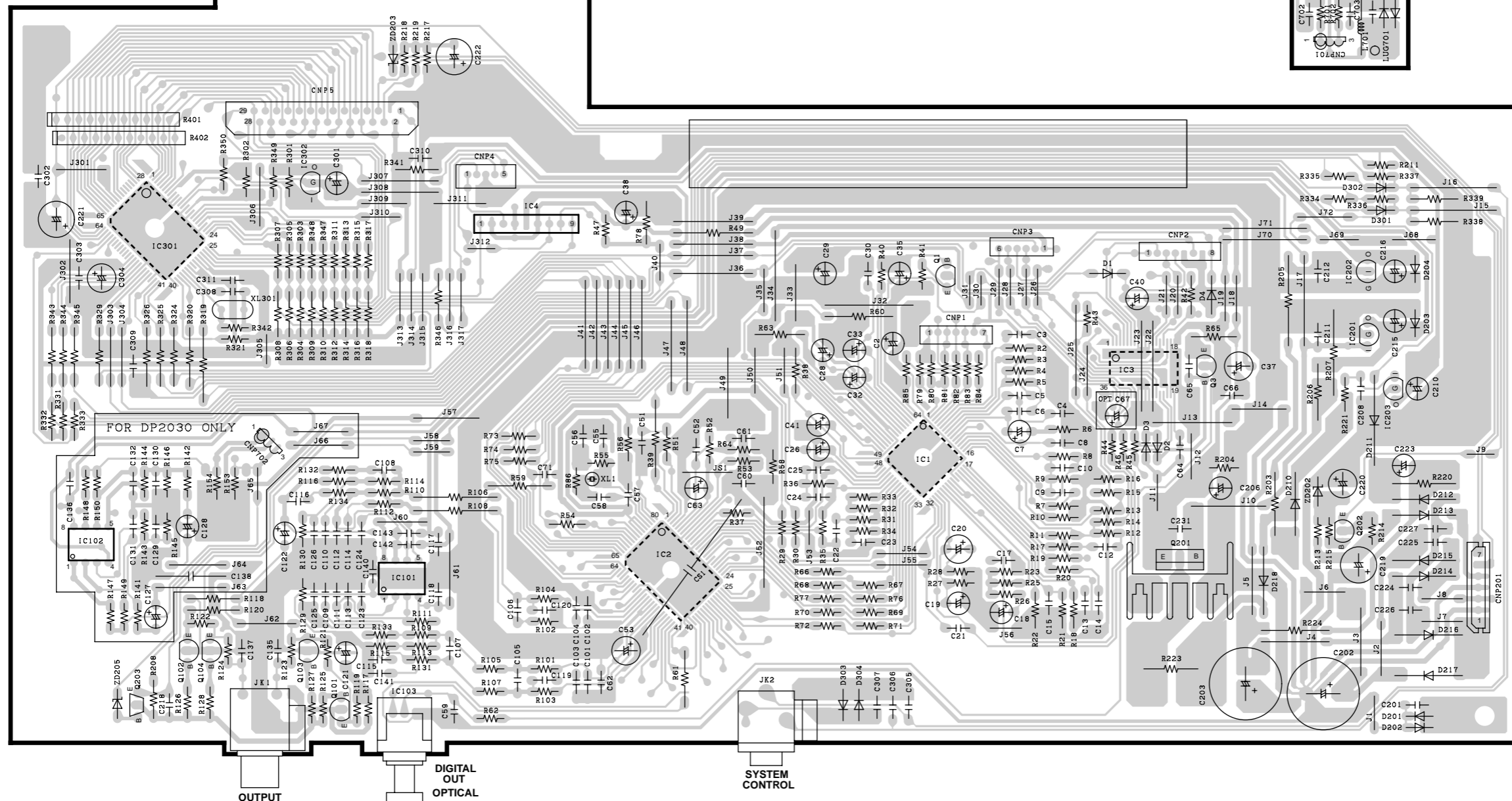
DISPLAY-2 PWB



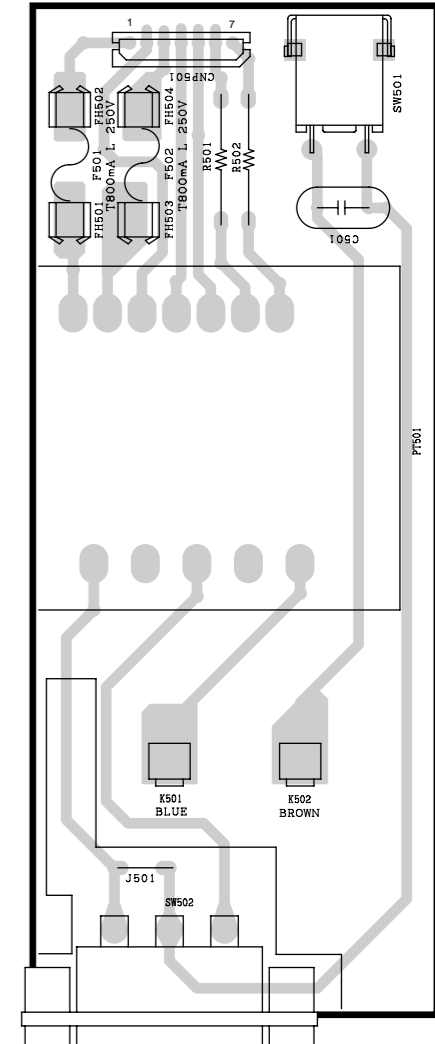
PHONES



MAIN PWB

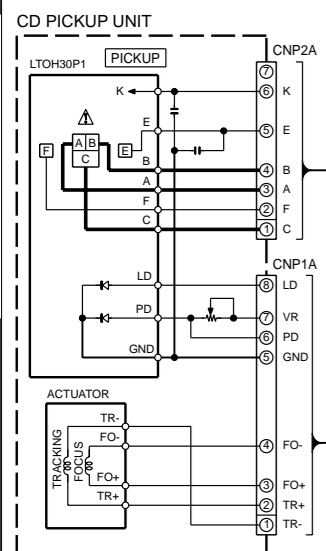


POWER PWB

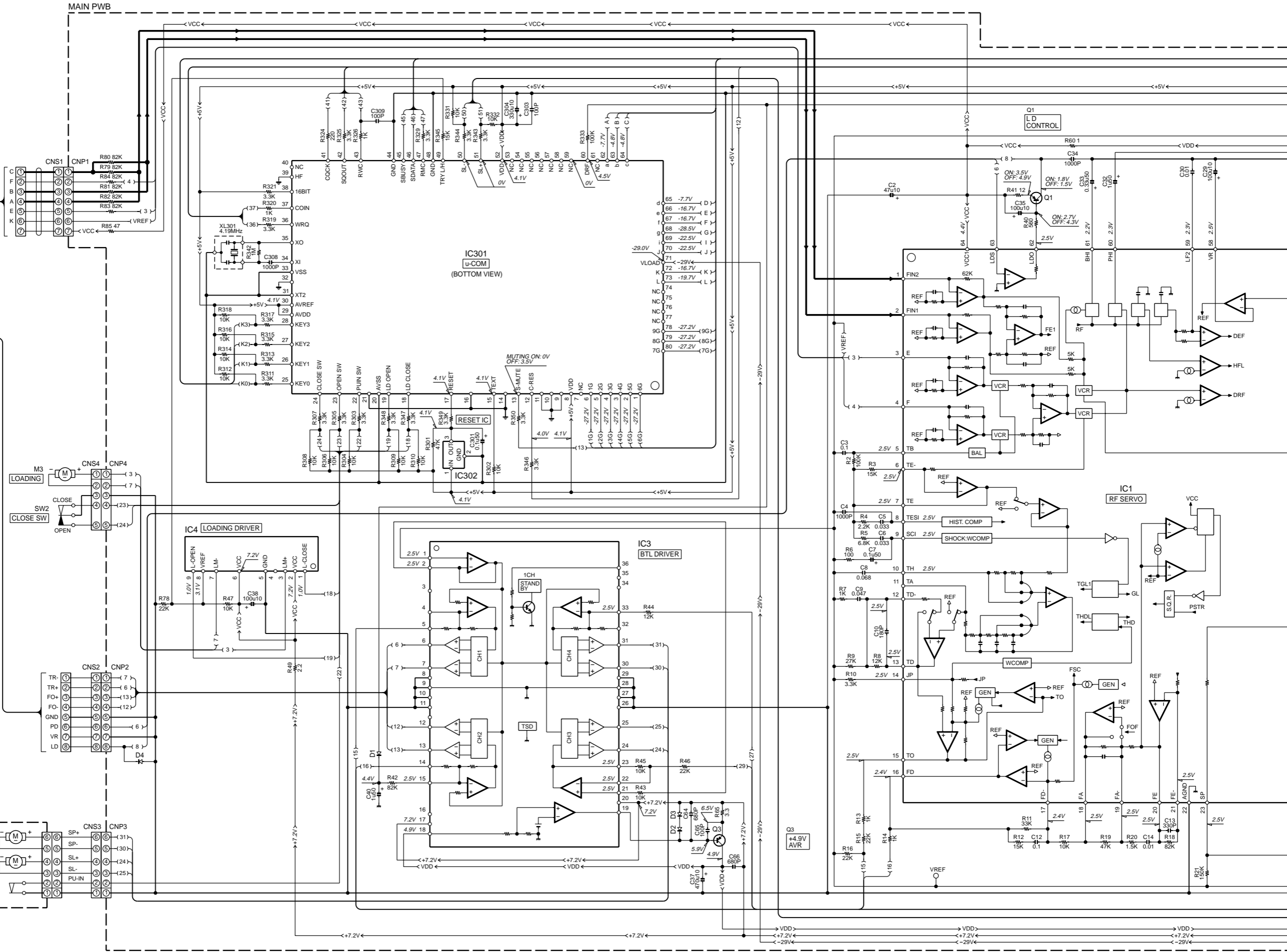
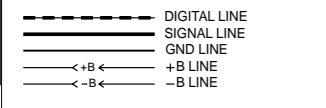


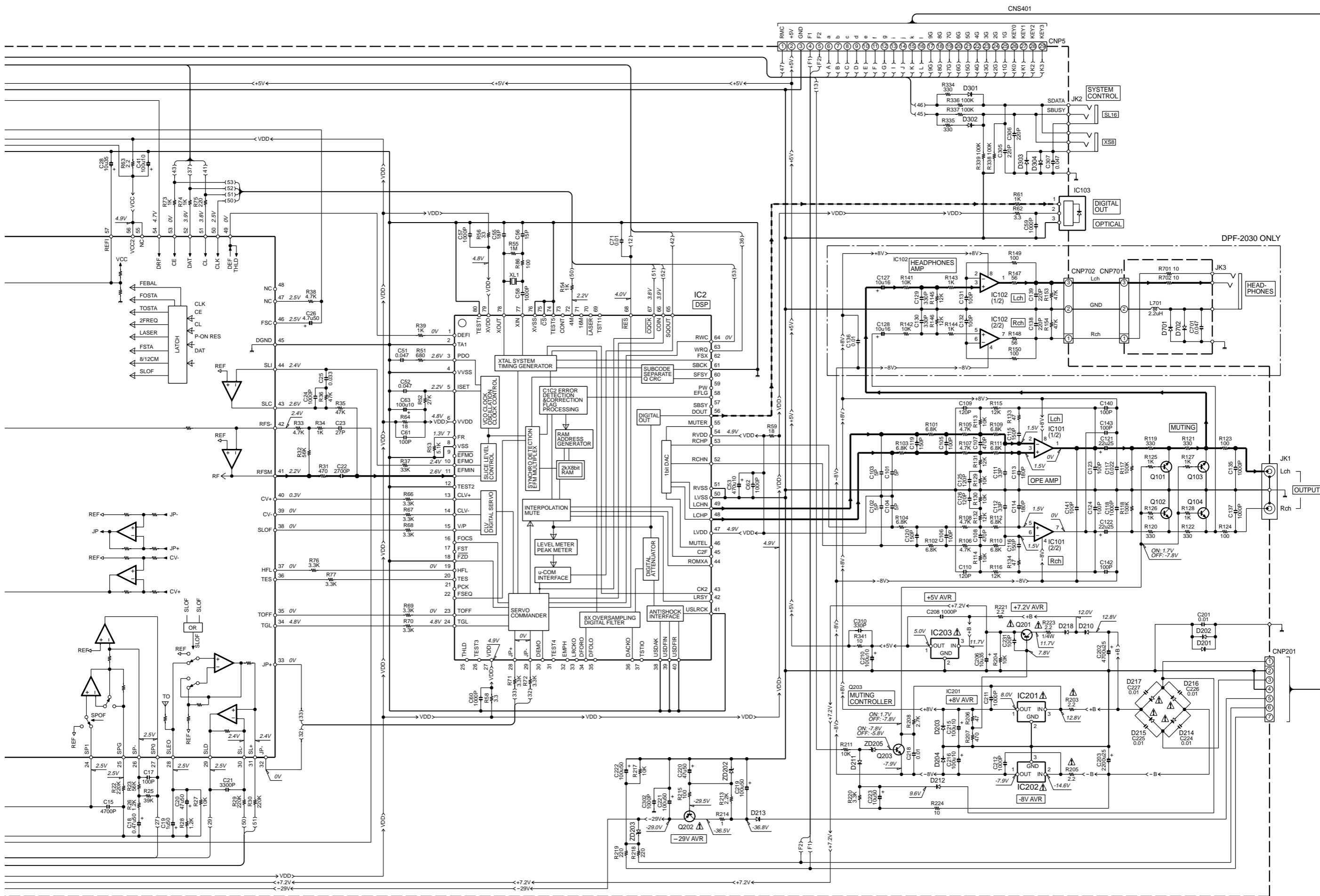
POWER

Refer to the schematic diagram for the value of resistors and capacitors.

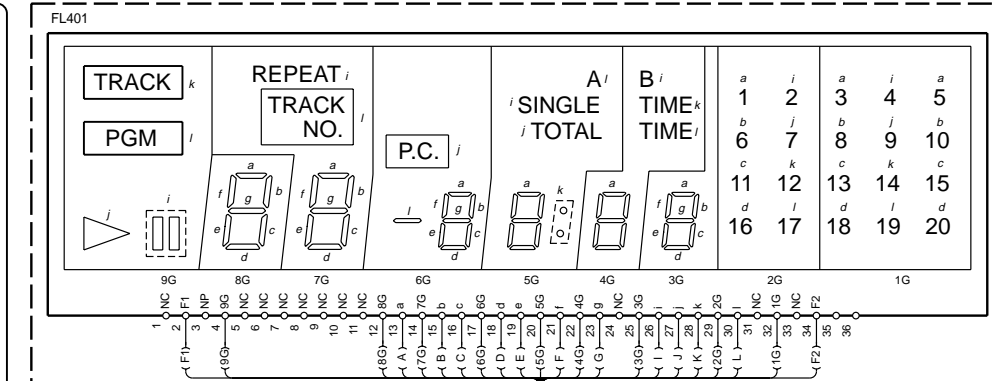


- IC1 : LA9241M
- IC2 : LC78620E
- IC3 : M56748FP
- IC4 : TA7291S
- IC101,102 : NJM4565DD
- IC103 : TOTX178A-1
- IC201 : KIA78S08P
- IC202 : NJM79L08A
- IC203 : KIA78S05P
- IC301 : IX0346(DPF-1030)
- IX0299(DPF-2030)
- IC302 : KIA7036AP
- Q1,202 : KTA1266GR
- Q3 : KTA1271Y
- Q101-104 : 2SC2878B
- Q201 : KTC2026
- Q203 : KRC102M
- D1-4,201-204,211,301-304, 701,702 : 1SS133
- D210,212-218 : 1N4004S
- ZD202 : MTZJ30B
- ZD203 : MTZJ5.6B
- ZD205 : MTZJ8.2B



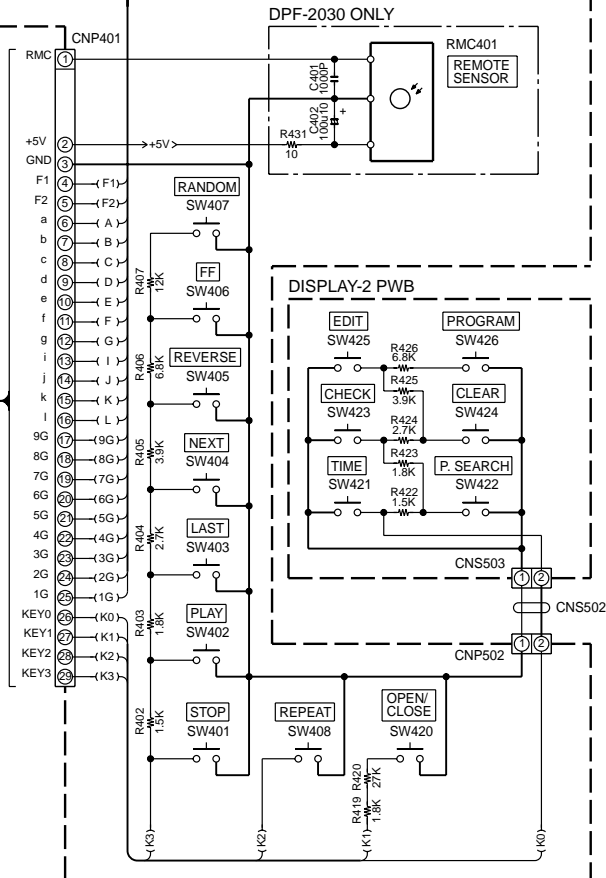


DISPLAY-1 PWB

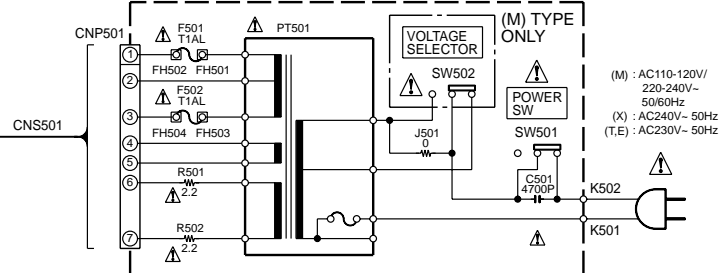


CAUTION: For continued safety, replace safety critical components only with manufacturer's recommended parts (refer to parts list). Δ indicates safety critical components. For continued protection against risk of fire, replace only with same type and rating fuse(s). To reduce the risk of electric shock, leakage-current or resistance measurements shall be carried out (exposed parts are acceptably insulated from the supply circuit) before the appliance is returned to the customer.

The DC voltage is an actual reading measured with a high impedance type voltmeter. The measurement value may vary depending on the measuring instruments used or on the product. Refer to the voltage during PLAY unless otherwise specified; The value shown in () is the voltage measured at the moment of STOP.



POWER PWB

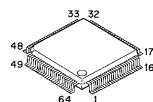
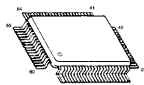
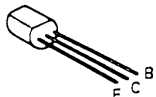


DPF-1030/1030E/1030-S
DPF-2030/2030E/2030-S

2SC2878B

LC78620E

LA9241M



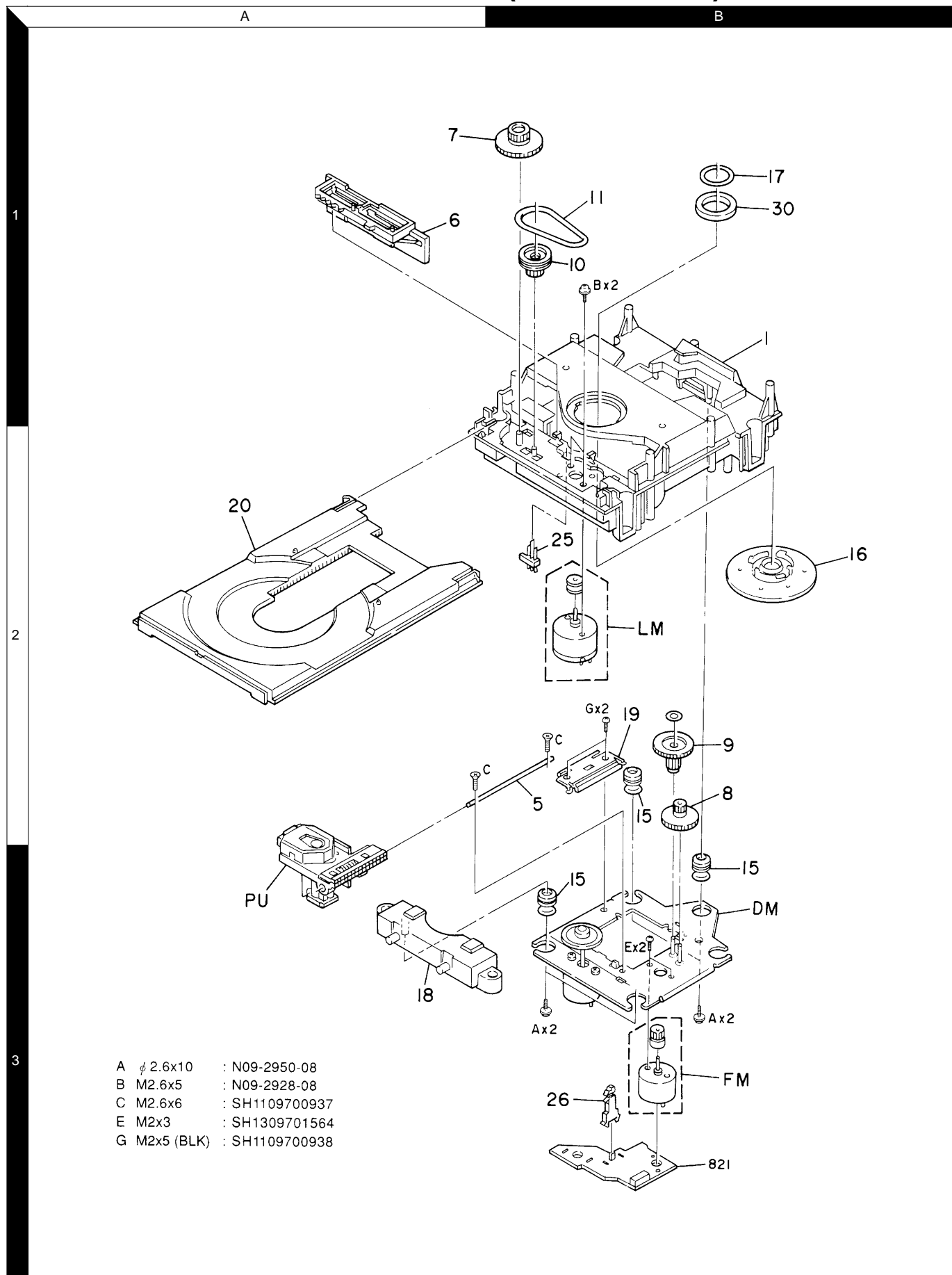
DPF-1030/2030

Y22-8290-50

KENWOOD

DPF-1030/2030

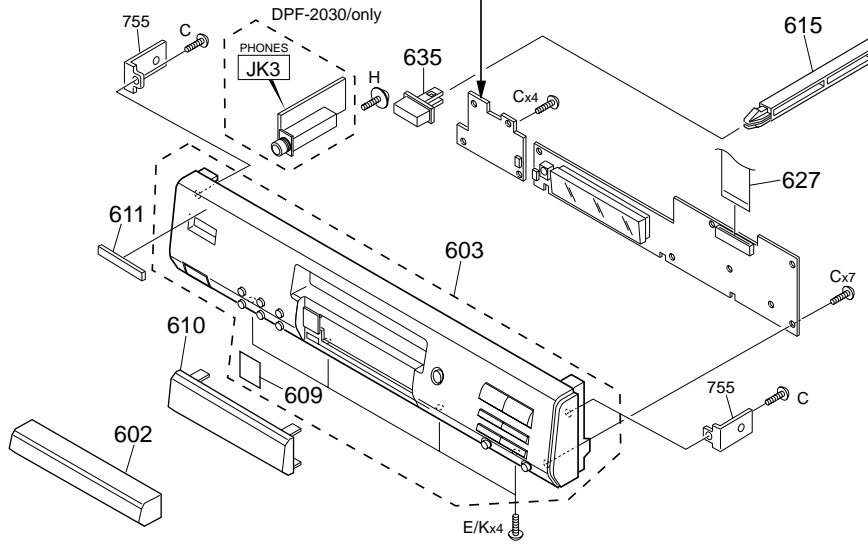
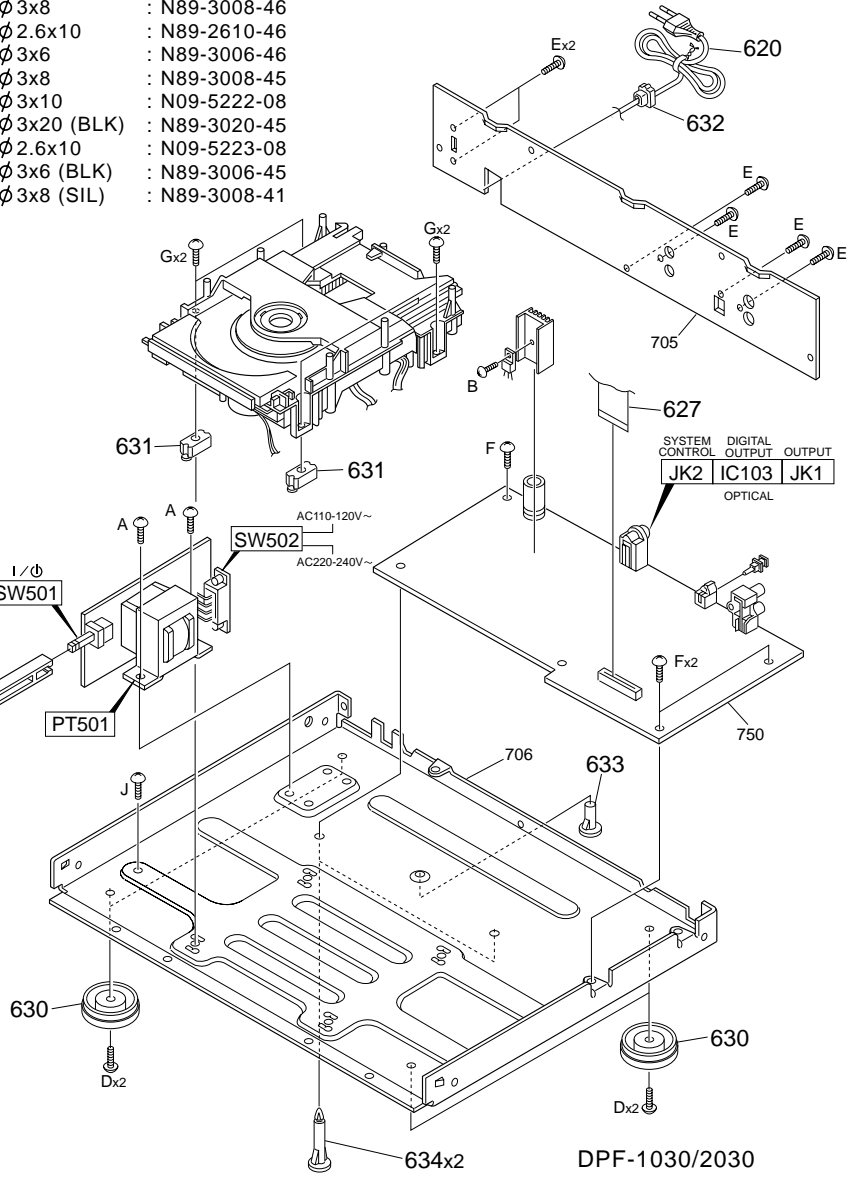
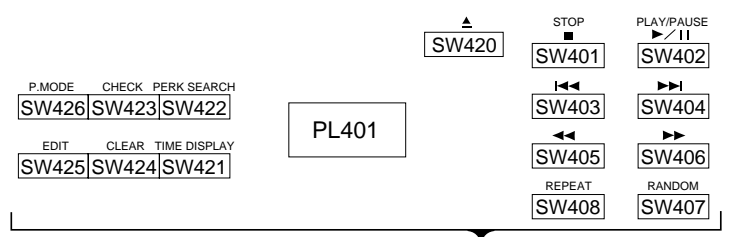
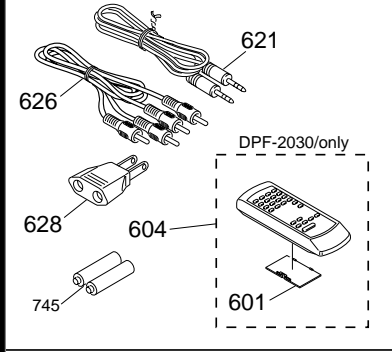
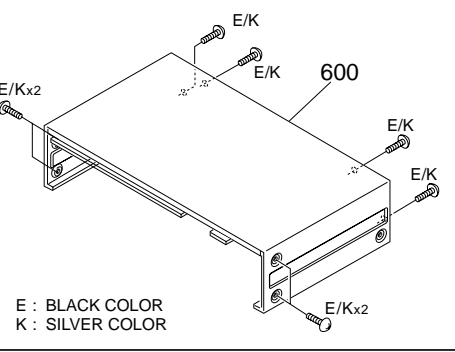
EXPLODED VIEW (MECHANISM)



DPF-1030/2030

EXPLODED VIEW (UNIT)

- A $\varnothing 4 \times 8$: N09-5224-08
- B $\varnothing 3 \times 8$: N89-3008-46
- C $\varnothing 2.6 \times 10$: N89-2610-46
- D $\varnothing 3 \times 6$: N89-3006-46
- E $\varnothing 3 \times 8$: N89-3008-45
- F $\varnothing 3 \times 10$: N09-5222-08
- G $\varnothing 3 \times 20$ (BLK) : N89-3020-45
- H $\varnothing 2.6 \times 10$: N09-5223-08
- J $\varnothing 3 \times 6$ (BLK) : N89-3006-45
- K $\varnothing 3 \times 8$ (SIL) : N89-3008-41



Parts with exploded numbers larger than 700 are not supplied.

* New Parts
 Parts without **Parts No.** are not supplied.
 Les articles non mentionnés dans le **Parts No.** ne sont pas fournis.
 Teile ohne **Parts No.** werden nicht geliefert.

①

| Ref. No | Add-ress | New Parts | Parts No. | Description | Desti-nation | Re-marks |
|--|----------|-----------|-------------|--------------------|----------------|-------------|
| DPF-1030/1030E/1030-S/2030/2030E/2030-S | | | | | | |
| 600 | 1D | * | A01-3760-08 | TOP CABINET | GCAB-3089AWSA | ETE2 |
| 600 | 1D | * | A01-3761-08 | TOP CABINET | GCAB-3089AWSB | MXE3 |
| 601 | 1C | * | A09-1190-08 | BATTERY COVER | GFTAB1022AWFA | |
| | 2 | | | | | |
| 602 | 2C | * | A21-3873-08 | CD TRAY COVER | GCOVA1250AWSA | TEE2 |
| 602 | 2C | * | A21-3874-08 | CD TRAY COVER | GCOVA1250AWSB | MXE3 |
| 603 | 2C | * | A60-1855-08 | FRONT CAB ASSY | CAB3279AS1 | EE2 |
| 603 | 2C | * | A60-1856-08 | FRONT CAB ASSY | CAB3281AS1 | ME3 |
| 603 | 2C | * | A60-1857-08 | FRONT CAB ASSY | CAB3274AS1 | TEE2 |
| 603 | 2C | * | A60-1858-08 | FRONT CAB ASSY | CAB3276AS1 | MX |
| 604 | 1C | * | A70-1414-08 | REMOCON | RRMCG0213AWSA | 2 |
| 609 | | * | B11-1515-08 | FL FILTER | PSHEP0034AWSA | |
| 610 | 2C | * | B10-3611-08 | FL WINDOW | HDECQ0518AWSA | |
| 611 | 2C | | B43-0302-04 | KENWOOD BADGE | | |
| | | | B46-0096-53 | WARRANTY CARD | | |
| | | | B46-0310-03 | WARRANTY CARD | TGANZ0005AWZZ | X TEE2E3 |
| | | * | B60-4634-08 | INST BOOK(EN) | TINSE0271AWZZ | MXTE2 |
| | | * | B60-4635-08 | INST BOOK(I/F) | TINSZ0487AWZZ | EE3 |
| | | * | B60-4636-08 | INST BOOK(G/N) | TINSZ0488AWZZ | EE3 |
| | | * | B60-4637-08 | INST BOOK(ES) | TINSZ0489AWZZ | MEE3 |
| | | * | B60-4638-08 | INST BOOK(TC) | TINSZ0494AWZZ | M |
| | | * | B60-4639-08 | INST BOOK(PL) | TINSZ0490AWZZ | E2 |
| | | * | B60-4640-08 | INST BOOK(HU) | TINSZ0491AWZZ | E2 |
| | | * | B60-4641-08 | INST BOOK(CZ) | TINSZ0492AWZZ | E2 |
| | | * | B60-4642-08 | INST BOOK(RU) | TINSZ0493AWZZ | E2 |
| | | * | B60-4688-08 | INST BOOK(AR) | TINSZ0543AWZZ | M |
| 615 | 2D | | D21-1934-08 | POWER SW LVR | MLEVP0086AWZZ | |
| 620 | 1E | | E30-2750-08 | AC CORD | CORDA1387C | X |
| 620 | 1E | | E30-2911-08 | AC CORD | QACCE0003AW00 | EE2E3 |
| 620 | 1E | | E30-2914-08 | AC CORD | QACCE0008AW00 | M |
| 620 | 1E | | E30-2915-08 | AC CORD | QACCB0009AW00 | T |
| 621 | 1C | | E30-2912-08 | SYSTEM CORD | QCNWVG0002AWZZ | |
| 626 | | | E30-2913-08 | RCA CORD | QCNWVG0003AWZZ | |
| 627 | | | E35-2315-08 | FFC CABLE | QCNWN1338AWZZ | |
| 628 | | | E03-0115-05 | AC PLUG ADAPTER | QPLGA0250AFZZ | M |
| | | * | H10-7701-08 | P-PAD | SPAKA0234AWZZ | |
| | | * | H25-1650-08 | SETPOLY BAG | SPAKP0038AWZZ | |
| | | * | H50-3694-08 | P-CASE | SPAKC0866AWZZ | TE |
| | | * | H50-3695-08 | P-CASE | SPAKC0867AWZZ | E2 |
| | | * | H50-3696-08 | P-CASE | SPAKC0873AWZZ | MX |
| | | * | H50-3697-08 | P-CASE | SPAKC0868AWZZ | E |
| | | * | H50-3698-08 | P-CASE | SPAKC0869AWZZ | E2 |
| | | * | H50-3699-08 | P-CASE | SPAKC0871AWZZ | E3 |
| | | * | H50-3700-08 | P-CASE | SPAKC0872AWZZ | M |
| 630 | | * | J02-1488-08 | DECORATION LEG | GLEGP0006AWSD | |
| 632 | | | J42-0083-05 | AC CORD BUSH | | |
| 633 | | | J19-5972-08 | PWB SUPPORT | LX-LZ0009AWZZ | |
| 634 | | | J19-5974-08 | SNAP 19MM | LX-LZ0008AWZZ | |
| 635 | | * | K29-7809-08 | POWER KNOB | JKNBZ0652AWSA | TEE2 |
| 635 | | * | K29-7810-08 | POWER KNOB | JKNBZ0652AWSB | MXE3 |
| A | | * | N09-5224-08 | SCREW(4X8)+WASHER | | |
| F | | * | N09-5222-08 | SCREW(3X10)+WASHER | | |

L : Scandinavia K : USA P : Canada R : Mexico C : China I : Malaysia
 Y : PX(Far East,Hawaii) T : England E : Europe G : Germany V : China(Shanghai)
 Y : AAFES(Europe) X : Australia Q : Russia H : Korea M : Other Areas Δ indicates safety critical components .

* New Parts
 Parts without **Parts No.** are not supplied.
 Les articles non mentionnés dans le **Parts No.** ne sont pas fournis.
 Teile ohne **Parts No.** werden nicht geliefert.

②

| Ref. No | Add-ress | New Parts | Parts No. | Description | Desti-nation | Re-marks |
|-------------------------|----------|-----------|---------------|----------------------|--------------|----------|
| H | | * | N09-5223-08 | SCREW(2.6X10)+WASHER | | |
| ELECTRICAL PARTS | | | | | | |
| FL401 | | | CM1703C | FL DISPLAY | | |
| C2 | | | CE04KW1A470M | ELECTRO | 47UF | 10WV |
| C3 | | | CQ92FM1H104K | MYLAR | 0.10UF | K |
| C4 | | | CQ92FM1H102K | MYLAR | 1000PF | K |
| C5 | .6 | | CQ92FM1H333K | MYLAR | 0.033UF | K |
| C7 | | | CE04KW1HR10M | ELECTRO | 0.10UF | 50WV |
| C8 | | | CQ92FM1H683K | MYLAR | 0.068UF | K |
| C9 | | | CQ92FM1H473K | MYLAR | 0.047UF | K |
| C10 | | | CC45FSL1H181J | CERAMIC | 180PF | J |
| C12 | | | CQ92FM1H104K | MYLAR | 0.10UF | K |
| C13 | | | CC45FSL1H331J | CERAMIC | 330PF | J |
| C14 | | | CQ92FM1H103K | MYLAR | 0.010UF | K |
| C15 | | | CQ92FM1H472K | MYLAR | 4700PF | K |
| C17 | | | CC45FSL1H101J | CERAMIC | 100PF | J |
| C18 | | | CE04KW1HR47M | ELECTRO | 0.47UF | 50WV |
| C19 | | | CE04KW1H010M | ELECTRO | 1.0UF | 50WV |
| C20 | | | CE04KW1H470M | ELECTRO | 47UF | 50WV |
| C21 | | | CQ93FM1H332K | MYLAR | 3300PF | K |
| C22 | | | CQ93FMG1H272J | MYLAR | 2700PF | J |
| C23 | | | CC45FSL1H270J | CERAMIC | 27PF | J |
| C24 | | | CQ92FM1H102K | MYLAR | 1000PF | K |
| C25 | | | CQ92FM1H333K | MYLAR | 0.033UF | K |
| C26 | | | CE04KW1H4R7M | ELECTRO | 4.7UF | 50WV |
| C28 | | | CE04KW1V100M | ELECTRO | 10UF | 35WV |
| C29 | | | CE04KW1A101M | ELECTRO | 100UF | 10WV |
| C30 | | | CQ92FM1H103K | MYLAR | 0.010UF | K |
| C32 | | | CE04KW1H010M | ELECTRO | 1.0UF | 50WV |
| C33 | | | CE04KW1HR33M | ELECTRO | 0.33UF | 50WV |
| C35 | | | CE04KW1A101M | ELECTRO | 100UF | 10WV |
| C37 | | | CE04KW1A471M | ELECTRO | 470UF | 10WV |
| C38 | | | CE04KW1A101M | ELECTRO | 100UF | 10WV |
| C40 | | | CE04KW1H010M | ELECTRO | 1.0UF | 50WV |
| C41 | | | CE04KW1A101M | ELECTRO | 100UF | 10WV |
| C51 | .52 | | CQ92FM1H473K | MYLAR | 0.047UF | K |
| C53 | | | CE04KW1A471M | ELECTRO | 470UF | 10WV |
| C55 | | | CC45FSL1H180J | CERAMIC | 18PF | J |
| C56 | | | CC45FSL1H150J | CERAMIC | 15PF | J |
| C57 | | | CC45FSL1H102J | CERAMIC | 1000PF | J |
| C58 | | | CQ92FM1H102K | MYLAR | 1000PF | K |
| C59 | .60 | | CC45FSL1H102J | CERAMIC | 1000PF | J |
| C61 | | | CC45FSL1H101J | CERAMIC | 100PF | J |
| C62 | | | CC45FSL1H102J | CERAMIC | 1000PF | J |
| C63 | | | CE04KW1A101M | ELECTRO | 100UF | 10WV |
| C64 | | | CC45FSL1H681J | CERAMIC | 680PF | J |
| C65 | | | CC45FSL1H101J | CERAMIC | 100PF | J |
| C66 | | | CC45FSL1H681J | CERAMIC | 680PF | J |
| C71 | | | CK45FB1H103Z | CERAMIC | 0.010UF | Z |
| C101-104 | | | CC45FSL1H050C | CERAMIC | 5.0PF | C |
| C105,106 | | | CC45FSL1H101J | CERAMIC | 100PF | J |
| C107,108 | | | CC45FSL1H471J | CERAMIC | 470PF | J |
| C109,110 | | | CC45FSL1H121J | CERAMIC | 120PF | J |

L : Scandinavia K : USA P : Canada R : Mexico C : China I : Malaysia
 Y : PX(Far East,Hawaii) T : England E : Europe G : Germany V : China(Shanghai)
 Y : AAFES(Europe) X : Australia Q : Russia H : Korea M : Other Areas Δ indicates safety critical components .

* New Parts

Parts without **Parts No.** are not supplied.
Les articles non mentionnés dans le **Parts No.** ne sont pas fournis.
Teile ohne **Parts No.** werden nicht geliefert.

| Ref. No | Address | New Parts | Parts No. | Description | Destination | Remarks |
|------------|---------|-----------|---------------|------------------|---------------|---------|
| C111,112 | | | CC45FSL1H330J | CERAMIC 33PF | J | |
| C113,114 | | | CC45FSL1H181J | CERAMIC 180PF | J | |
| C115,116 | | | CC45FSL1H151J | CERAMIC 150PF | J | |
| C117 | | | CK45FB1H223Z | CERAMIC 0.022UF | Z | |
| C118 | | | CC45FSL1H102J | CERAMIC 1000PF | J | |
| C119,120 | | | CC45FSL1H151J | CERAMIC 150PF | J | |
| C121,122 | | | CE04KW1E220M | ELECTRO 22UF | 25WV | |
| C123,124 | | | CC45FSL1H101J | CERAMIC 100PF | J | |
| C125,126 | | | CC45FSL1H121J | CERAMIC 120PF | J | |
| C127,128 | | | CE04KW1C100M | ELECTRO 10UF | 16WV | 2 |
| C129,130 | | | CC45FSL1H331J | CERAMIC 330PF | J | 2 |
| C131,132 | | | CC45FSL1H101J | CERAMIC 100PF | J | 2 |
| C135 | | | CC45FSL1H102J | CERAMIC 1000PF | J | |
| C136 | | | CQ92FM1H103K | MYLAR 0.010UF | K | 2 |
| C137 | | | CC45FSL1H102J | CERAMIC 1000PF | J | |
| C138,139 | | | CC45FSL1H221J | CERAMIC 220PF | J | 2 |
| C140-143 | | | CC45FSL1H101J | CERAMIC 100PF | J | |
| C201 | | | CK45FB1H103Z | CERAMIC 0.010UF | Z | |
| C202 | | | CE04KW1E472M | ELECTRO 4700UF | 25WV | |
| C203 | | | CE04KW1E222M | ELECTRO 2200UF | 25WV | |
| C206 | | | CE04KW1V100M | ELECTRO 10UF | 35WV | |
| C208 | | | CQ92FM1H102K | MYLAR 1000PF | K | |
| C210 | | | CE04KW1A101M | ELECTRO 100UF | 10WV | |
| C211,212 | | | CC45FSL1H102J | CERAMIC 1000PF | J | |
| C215,216 | | | CE04KW1A101M | ELECTRO 100UF | 10WV | |
| C218 | | | CQ92FM1H103K | MYLAR 0.010UF | K | |
| C219 | | | CE04KW1H101M | ELECTRO 100UF | 50WV | |
| C220 | | | CE04KW1H470M | ELECTRO 47UF | 50WV | |
| C221,222 | | | CE04KW1H101M | ELECTRO 100UF | 50WV | |
| C223 | | | CE04KW1H100M | ELECTRO 10UF | 50WV | |
| C224-227 | | | CK45FB1H103Z | CERAMIC 0.010UF | Z | |
| C231 | | | CC45FSL1H101J | CERAMIC 100PF | J | |
| C301 | | | CE04KW1H0R1M | ELECTRO 0.1UF | 50WV | |
| C302 | | | CC45FSL1H102J | CERAMIC 1000PF | J | |
| C303 | | | CC45FSL1H101J | CERAMIC 100PF | J | |
| C304 | | | CE04KW1A331M | ELECTRO 330UF | 10WV | |
| C305,306 | | | CC45FSL1H221J | CERAMIC 220PF | J | |
| C307 | | | CK45FB1H473Z | CERAMIC 0.047UF | Z | |
| C308 | | | CQ92FM1H102K | MYLAR 1000PF | K | |
| C309 | | | CC45FSL1H101J | CERAMIC 100PF | J | |
| C401 | | | CQ92FM1H102K | MYLAR 1000PF | K | 2 |
| C402 | | | CE04KW1A101M | ELECTRO 100UF | 10WV | 2 |
| C501 | | * | C90-3936-08 | CERAMIC 0.0047UF | J | |
| C701 | | * | CK45FB1H473Z | CERAMIC 0.047UF | Z | 2 |
| CNP1 | | * | E35-2628-08 | CONNECTOR | CONE7P53253 | |
| CNP2 | | * | E35-2316-08 | CONNECTOR | QCNCM705HAFZZ | |
| CNP3 | | * | E40-8381-08 | CONNECTOR | CONE6P53253 | |
| CNP4 | | * | E40-8382-08 | CONNECTOR | CONE5P53253 | |
| CNP5 | | * | E40-8378-08 | FFC CONE TOP | QCNCWZG29AWZZ | |
| CNP201 | | | E40-8379-08 | CONNECTOR WIRE | CONE-7P5267X | |
| CNP401 | | | E40-8377-08 | FFC CONE SIDE | QCNCWZF29AWZZ | |
| CNP501 | | | E35-2314-08 | CONNECTOR | CNCWN0757AWZZ | |
| CNP502,503 | | | J19-5973-08 | 2P CABLE HLDR | QCNCW015BAWZZ | |
| FH501-504 | | | J19-5865-08 | FUSE HOLDER | QFSDH0001AWZZ | |

L : Scandinavia K : USA P : Canada R : Mexico C : China I : Malaysia
Y : PX(Far East,Hawaii) T : England E : Europe G : Germany V : China(Shanghai)
Y : AAFES(Europe) X : Australia Q : Russia H : Korea M : Other Areas Δ indicates safety critical components.

* New Parts

Parts without **Parts No.** are not supplied.
Les articles non mentionnés dans le **Parts No.** ne sont pas fournis.
Teile ohne **Parts No.** werden nicht geliefert.

| Ref. No | Address | New Parts | Parts No. | Description | Destination | Remarks |
|-------------------|---------|-----------|--------------|----------------------------|---------------|---------|
| JK1 | | | E63-1081-08 | PIN JACK | QJAKZ0012AWZZ | |
| JK2 | | | E11-0188-05 | SYSTEM JACK | QJAKZ0013AWZZ | |
| JK3 | | | E11-0345-08 | H/P JACK | QJAKH0002AWZZ | 2 |
| K501,502 | | | E35-1953-08 | LUG1746A | POWER SUPPLY | |
| Δ F501,502 | | * | F50-0168-08 | FUSE | FUSET801E | |
| - | | * | J19-6090-08 | FL HOLDER | LHLDZ1207AWFW | |
| L701 | | | L90-0312-08 | COIL | VP-DH2R2K0000 | 2 |
| Δ PT501 | | * | L07-2879-08 | POWER TRANS | RTRNP0292AWZZ | EE2E3 |
| Δ PT501 | | * | L07-2879-08 | POWER TRANS | RTRNP0292AWZZ | TX |
| Δ PT501 | | * | L07-2880-08 | POWER TRANS | RTRNP0293AWZZ | M |
| XL1 | | * | L77-2231-08 | CRYSTAL | RCRSP0005AWZZ | |
| XL301 | | | L78-0677-08 | CRYSTAL 4.19MHZ | CRSTL1595AT | |
| Δ R203 | | | RD14BB2C2R2J | RD | 2.2 J 1/6W | |
| Δ R205 | | | RD14BB2C2R2J | RD | 2.2 J 1/6W | |
| R208 | | * | R92-1965-08 | RC | 2.7K J 1/2W | |
| R220 | | | RD14BB2H332J | RD | 3.3K J 1/2W | |
| Δ R223 | | | RD14BB2E2R2J | RD | 2.2 J 1/4W | |
| Δ R501,502 | | | RD14BB2E2R2J | RD | 2.2 J 1/4W | |
| SW401-408 | | | S70-0071-08 | SWITCH | QSW-K0005AWZZ | |
| SW420-426 | | | S70-0071-08 | SWITCH | QSW-K0005AWZZ | |
| Δ SW501 | | * | S68-0128-08 | SWITCH | QSW-P0014AWZZ | |
| Δ SW502 | | * | S62-0087-08 | SLIDE SWITCH | QSOCE0004AWZZ | |
| SW701 | | | S70-0071-08 | SWITCH | QSW-K0005AWZZ | |
| D1 -4 | | | 1SS133 | DIODE | | |
| D201-204 | | | 1SS133 | DIODE | | |
| D210 | | * | 1N4004S | DIODE | | |
| D211 | | * | 1SS133 | DIODE | | |
| Δ D212-218 | | * | 1N4004S | DIODE | | |
| D301-304 | | | 1SS133 | DIODE | | 2 |
| D701,702 | | | 1SS133 | DIODE | | |
| IC1 | | | LA9241M | IC(AFAMP.SERVO) | | |
| IC2 | | | LC78620E | IC(CD SERVO DSP) | | |
| IC3 | | | M56748FP | IC | | |
| IC4 | | | TA7291S | IC(BRIDGE DRIVER) | | |
| IC101 | | | NJM4565DD | IC OP AMP | | |
| IC102 | | | NJM4565DD | IC OP AMP | | 2 |
| Δ IC201 | | | KIA78S08P | IC | | |
| Δ IC202 | | | NJM79L08A | IC(VOLTAGE REGULATOR/ -8V) | | |
| Δ IC203 | | | KIA78S05P | IC | | |
| IC301 | | * | IX0299 | IC SYSTEM U-CON | | 2 |
| IC301 | | * | IX0346 | IC SYSTEM U-CON | | 1 |
| IC302 | | | KIA7036AP | IC | | |
| Q1 | | | KTA1266GR | TRANSISTOR | | |
| Q3 | | | KTA1271Y | TRANSISTOR | | |
| Q101-104 | | | 2SC2878B | TRANSISTOR | | |
| Δ Q201 | | * | KTC2026 | TRANSISTOR | | |
| Δ Q202 | | * | KTA1266GR | TRANSISTOR | | 2 |
| Q203 | | | KRC102M | TRANSISTOR | | |
| ZD202 | | | MTZJ30B | ZENER DIODE | | |
| ZD203 | | | MTZJ5.6B | ZENER DIODE | | |
| ZD205 | | | MTZJ8.2B | ZENER DIODE | | |

L : Scandinavia K : USA P : Canada R : Mexico C : China I : Malaysia
Y : PX(Far East,Hawaii) T : England E : Europe G : Germany V : China(Shanghai)
Y : AAFES(Europe) X : Australia Q : Russia H : Korea M : Other Areas Δ indicates safety critical components.

PARTS LIST

DPF-1030/2030

